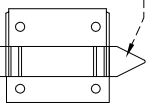


ROUND
Black Cone to Bottom Hinge Only

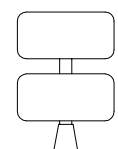
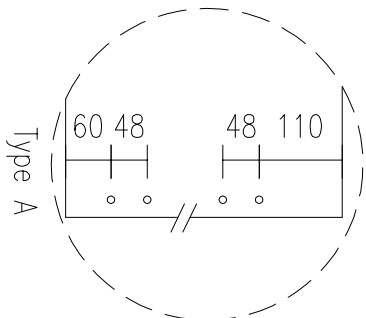
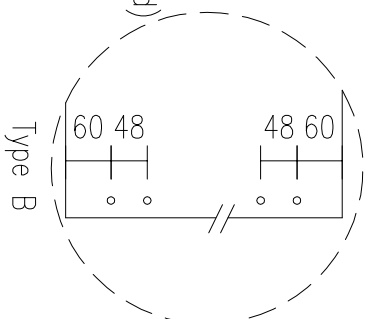


SQUARE

Glass Gate to Std Post Hinge (SSGH316-Standard) Jono Holdings Pty Ltd

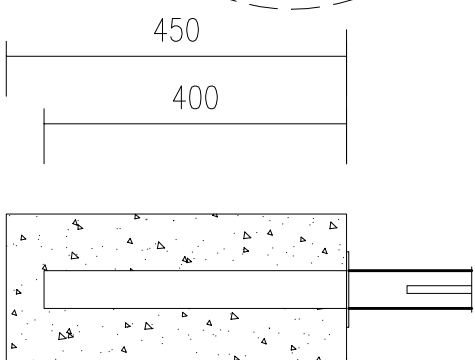
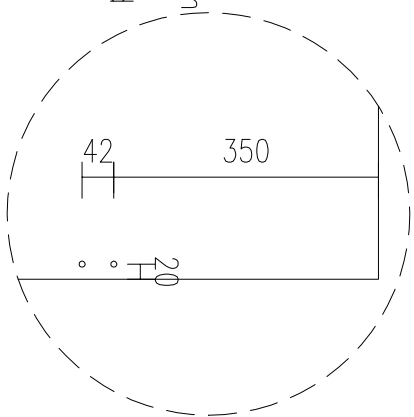
POST OPTIONS

HINGES

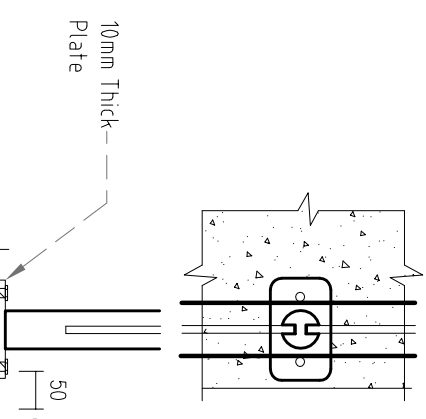


Magnalatch Glass Side Pull Latch (MLSPS2GHK) Jono Holdings Pty Ltd

LATCHES



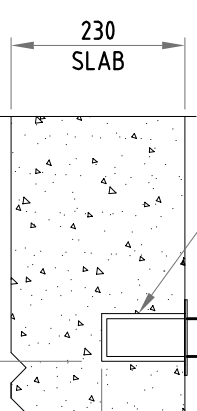
CONCRETE - Standard



CONCRETE PIERS

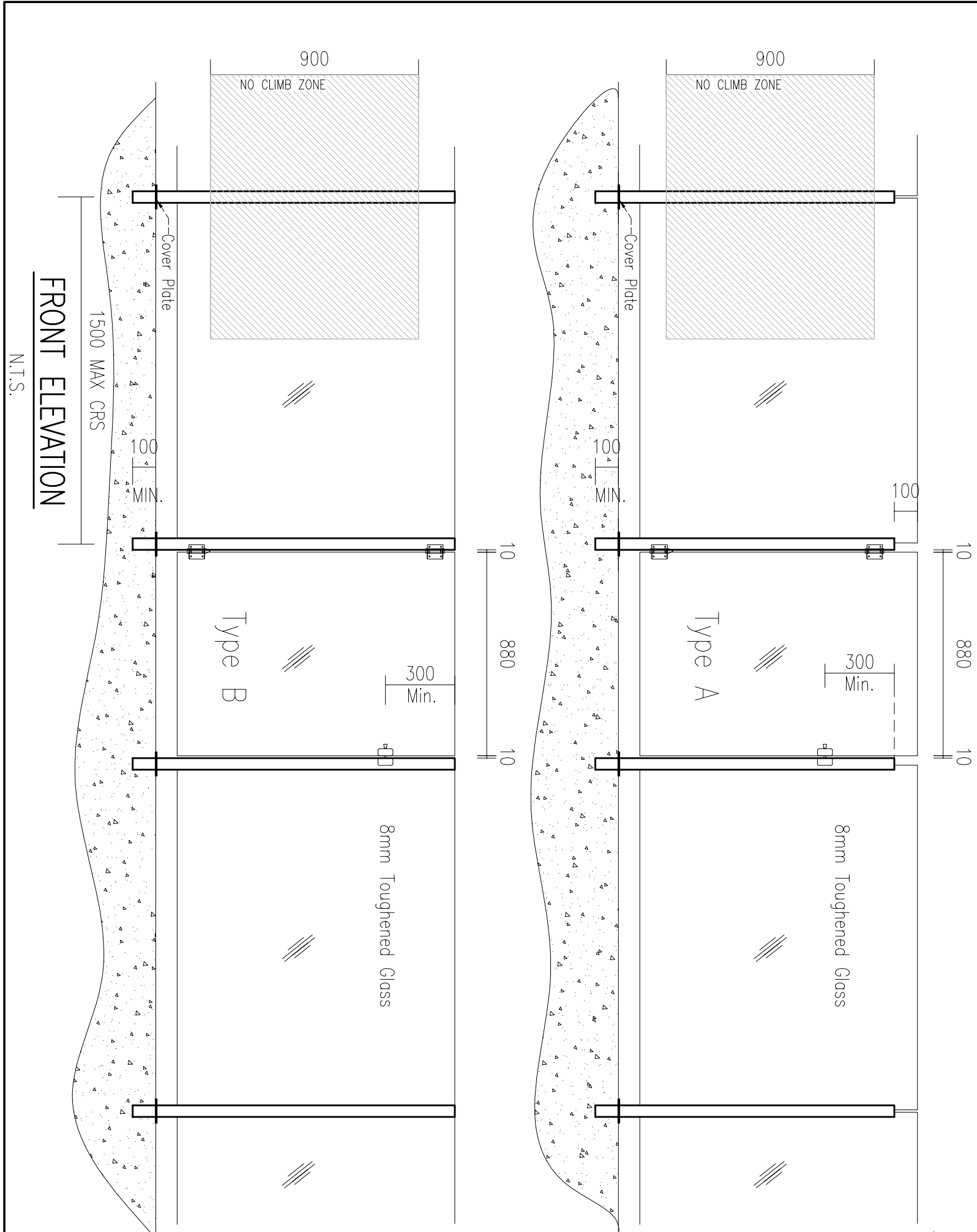
TOP FIXING

DIAMOND CORED 67φ x 110mm HOLE CENTRALLY PLACED IN CONCRETE DECK/PATH WITH POWDERCOATED ALUMINIUM COVER PLATE TO CONCEAL EMACO SET 45 EPOXY GROUT.



CORE DRILLED

110 (x67φ) REINF. FREE AREA. 50 MIN. EDGE DIST. TO HOLE



FRONT ELEVATION

N.T.S.

DRAWING TITLE:

Semi-Framelless Pool Fencing

DATE: 14/09/2011

ISSUE: A

ALUMINIUM BALUSTRADES
NORTH COAST